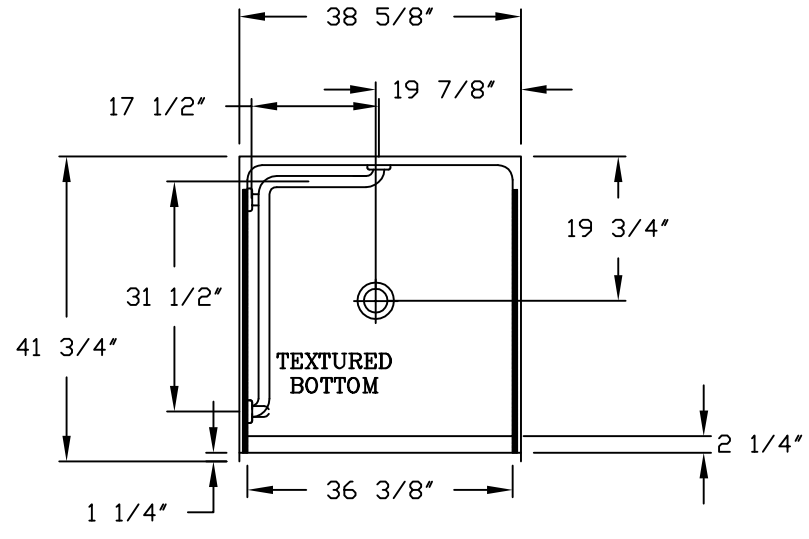
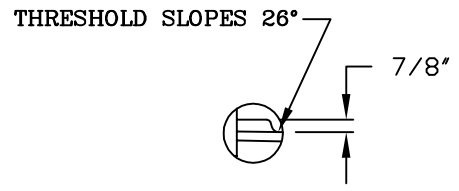


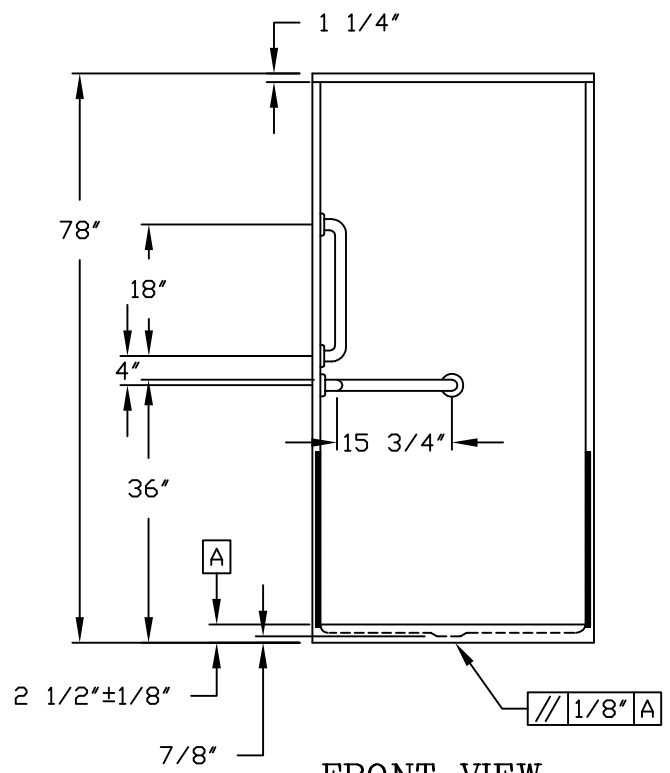
INFORMATION IN THIS DRAWING IS SUBJECT TO CHANGE WITHOUT NOTICE. NO PART OF THIS DRAWING MAY BE REPRODUCED OR TRANSMITTED IN ANY FORM OR BY ANY MEANS, ELECTRONIC OR MECHANICAL, FOR ANY PURPOSE WITHOUT THE WRITTEN PERMISSION OF AQUA GLASS CORPORATION.



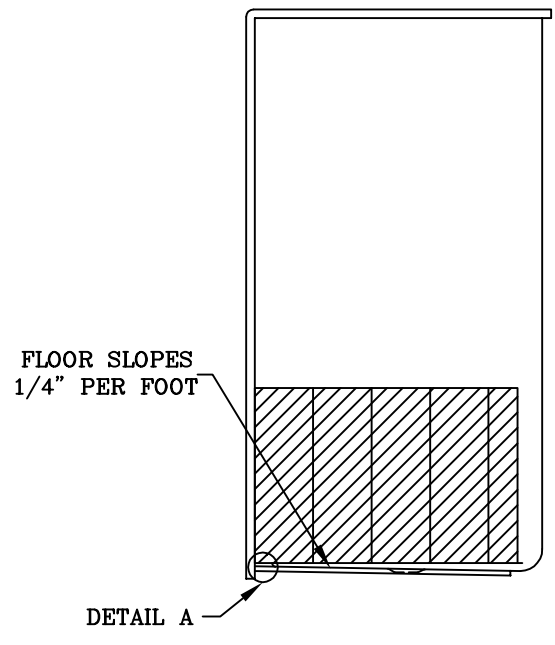
TOP VIEW



DETAIL A



FRONT VIEW



SIDE VIEW

TOLERANCE: ±1/4	GAL TO OVERFLOW: 0	GENERAL NOTES 7/16" OSB BOARD	<p style="text-align: center;">AQUA GLASS®</p> <p style="text-align: center;">320 INDUSTRIAL PARK RD. ADAMSVILLE, TN 38310</p>	PRODUCT OR PART NO.: 833941B-R/L
REV: H	OPERATING CAPACITY: 0			PRODUCT NAME DESIGNER
SCO NO.: 2563	DRAWN BY: C Gooch			GELCOAT
SCO DATE: 4/28/08	FIN. INTERIOR: XX in²			SPECIAL CARE